

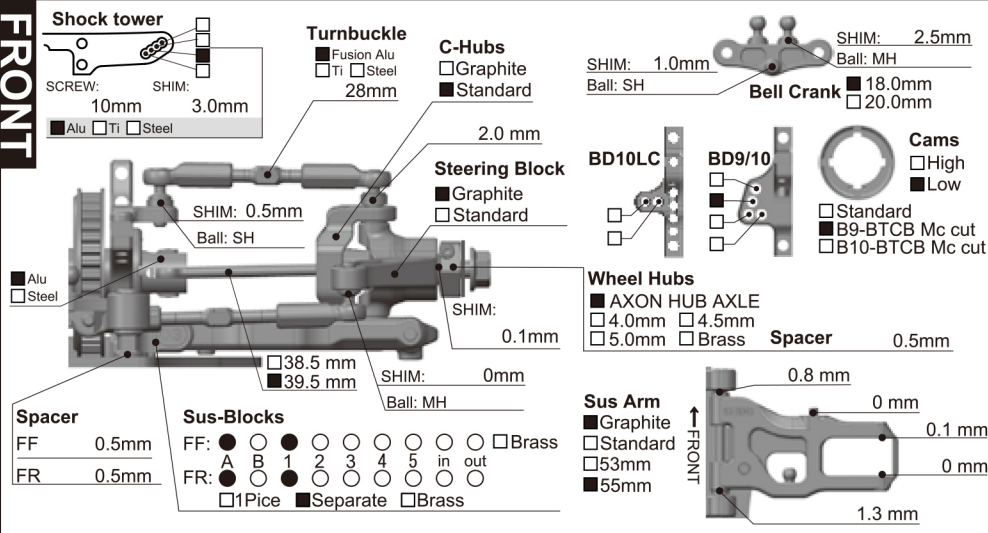
PLACE:  Indoor  Outdoor  Asphalt  Carpet /  Flat  Bump

TRACTION:  High  Medium  Low TEMP AIR: TEMP TRACK:

TRACK LAYOUT:  Technical  Mixed  High speed

QF POSITION: FINAL POSITION: BEST LAPTIME:

**FRONT**



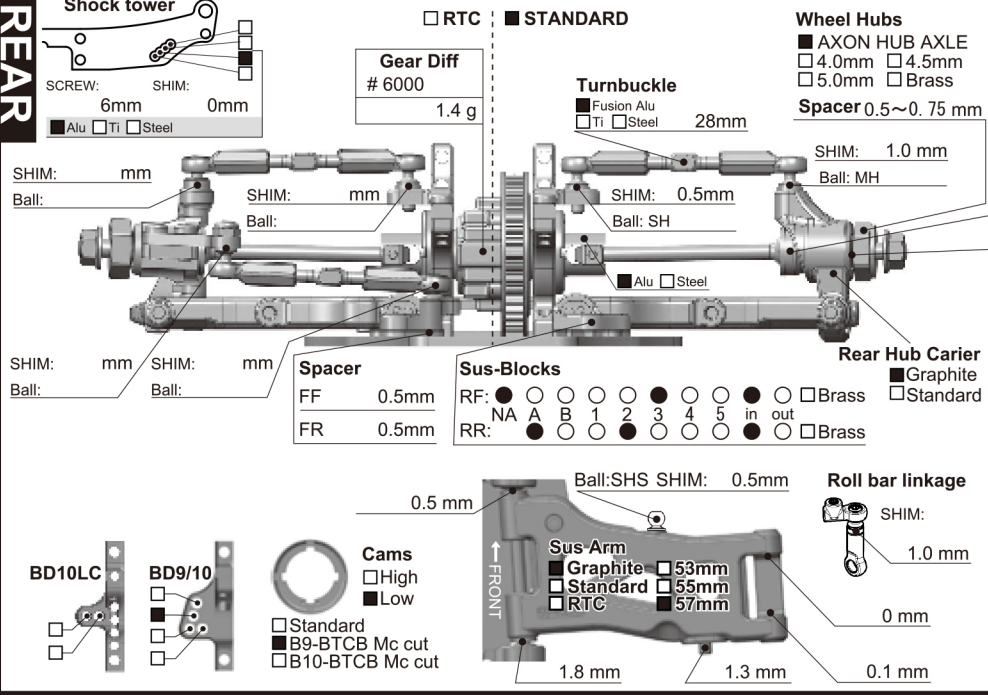
**Rod End Ball Size**  
SHS: Short neck MH SH

Ride Height :	5.1mm
Camber Angle :	1.5 °
Anti Roll Bar :	<input type="checkbox"/> 1.2 <input type="checkbox"/> 1.3 <input type="checkbox"/> 1.4 <input type="checkbox"/> Non
Drop : <input type="checkbox"/> Arm lower end <input type="checkbox"/> Sus pin center	9.5mm
Toe Angle :	out 1.2 °
Notes :	

**SHOCK ABSORBER**  
Spring: AXON HLS C2.8 or SLS C2.8  
Oil : AXON 32.5  
Piston :  3H  4H  
Hole : 1.1mm  
Others :  
Bladder :  V1  V2  
Others :  
Length : 48.0 mm

Ball  Alu  Steel  Alu  Steel

**REAR**



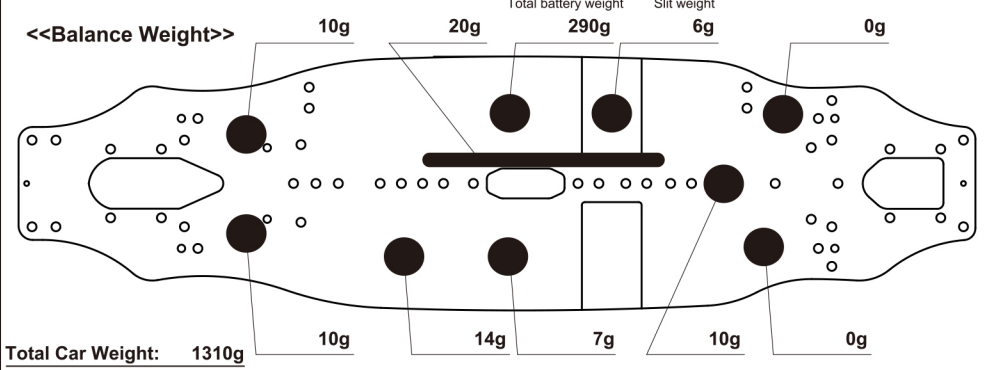
**Roll Post**  
 Aluminum  Brass  
 None  Aluminum  Steel

**Axle Shaft**  
 Steel  Alu  Set screw  Ring clip  
SHIM: 0 mm

Ride Height :	5.3 mm
Camber Angle :	1.8 °
Anti Roll Bar :	<input type="checkbox"/> 1.2 <input type="checkbox"/> 1.3 <input type="checkbox"/> 1.4 <input type="checkbox"/> Non
Drop : <input type="checkbox"/> Arm lower end <input type="checkbox"/> Sus pin center	9.0mm
Toe Angle :	in 3.0 °
Notes :	

**SHOCK ABSORBER**  
Spring : AXON HLS C2.6  
Oil : AXON 32.5  
Piston :  3H  4H  
Hole : 1.1mm  
Others :  
Bladder :  V1  V2  
Others :  
Length : 49.5 mm

Ball  Alu  Steel  Alu  Steel



**Screw setting <<Button Head>>**

Top deck 8pics: 6mm	<input type="checkbox"/> Alu <input type="checkbox"/> Ti <input type="checkbox"/> Steel
Upper bulkhead 8pics: 8mm	<input type="checkbox"/> Alu <input type="checkbox"/> Ti <input type="checkbox"/> Steel
Shock tower 8pics: 6mm	<input type="checkbox"/> Alu <input type="checkbox"/> Ti <input type="checkbox"/> Steel

**Screw setting <<Flat Head>>**

Lower bulkhead 8pics: 6mm	<input type="checkbox"/> Alu <input type="checkbox"/> Ti <input type="checkbox"/> Steel
Sus-blocks ALL: 6mm	<input type="checkbox"/> Alu <input type="checkbox"/> Ti <input type="checkbox"/> Steel
Bell crank post: 6mm	<input type="checkbox"/> Alu <input type="checkbox"/> Ti <input type="checkbox"/> Steel
Servo mount: 6mm	<input type="checkbox"/> Alu <input type="checkbox"/> Ti <input type="checkbox"/> Steel
Motor mount: 6mm	<input type="checkbox"/> Alu <input type="checkbox"/> Ti <input type="checkbox"/> Steel
Rear roll post: 10mm	<input type="checkbox"/> Alu <input type="checkbox"/> Ti <input type="checkbox"/> Steel

<b>Main Chassis:</b> <input type="checkbox"/> Carbon <input type="checkbox"/> Aluminum	<b>FRONT</b>	<b>REAR</b>
<b>Top Deck:</b> <input type="checkbox"/> 2.0mm	Tire:	Tire:
<b>Motor:</b>	Insert:	Insert:
<b>Spur Gear:</b> Pinion Gear:	Wheel:	Wheel:
<b>Battery:</b>	Additive:	Additive:
<b>ESC:</b>	Notes:	Notes:
<b>Body:</b> Twister		
<b>Wing:</b> Twister		

Notes :  
All aluminum screws use AXON fusion alu screws.  
All titanium screws use AXON spring titanium screws.  
X10 ball bearings are used for 1060 and 1510 bearings.