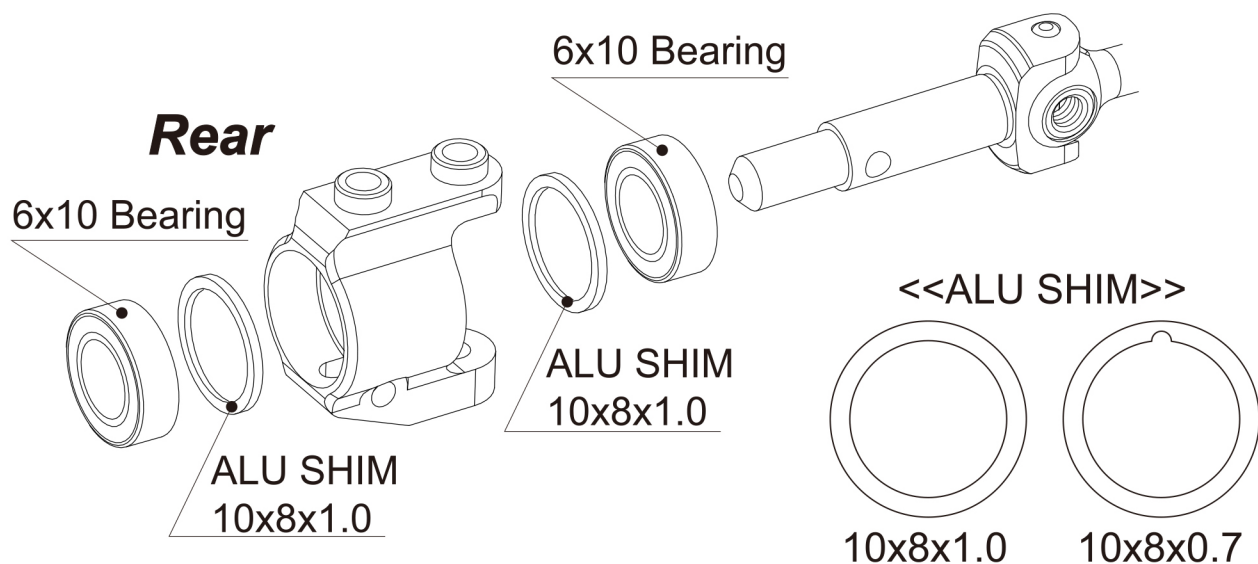
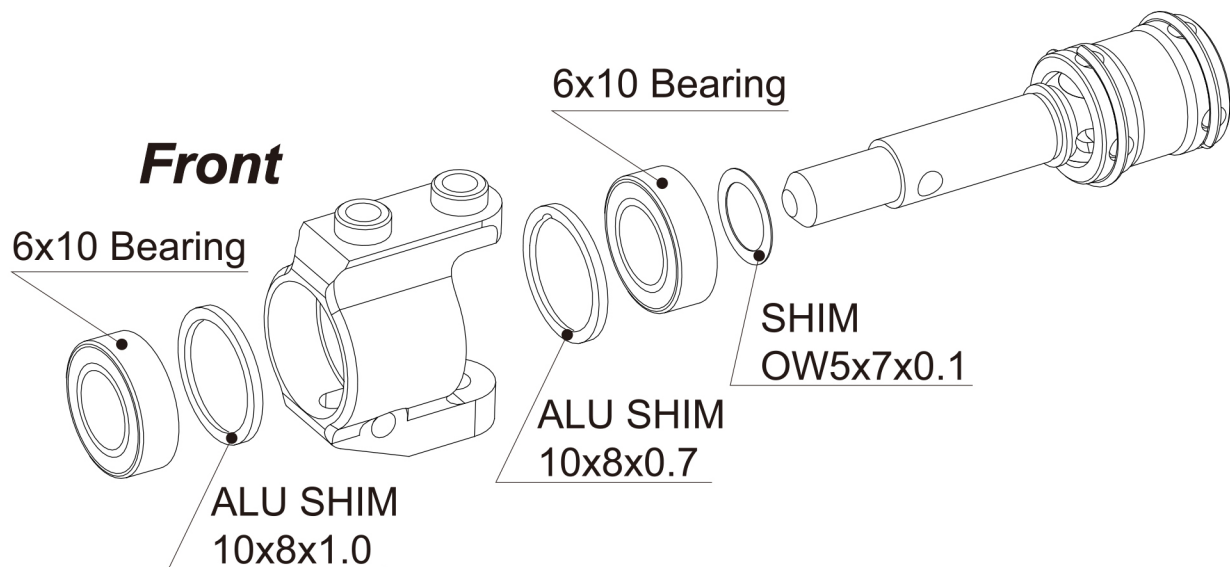


AXON WHEEL HUB AXLE 4mm MUGEN MTC2



- MH-AS-M001 WHEEL HUB AXLE for MTC2 FRONT 4mm (1pic)
- MH-AS-M002 WHEEL HUB AXLE for MTC2 REAR 4mm (1pic)
- MH-BS-001 WHEEL HUB AXLE BEARING SHIM 1.0mm (4pic)
- MH-BS-002 WHEEL HUB AXLE BEARING SHIM 0.7mm (4pic)
- MH-AP-Y002 WHEEL HUB AXLE STOP PIN SET

※シムOW5x7x0.1は純正品を使用。

Shim OW5x7x0.1 uses Genuine parts.